

Ø 12-30mm rope *Making*

M77 combined starander and rope-layer

For the production of finished coiled rope from natural and synthetic fibre yarns

Production coils from 415m to 2,600m

Three-strand and four-strand models

From strat to finished in one countinuous operation

High production speed

Extremely high output

Key features

- Hydraulic take-up system
- Increased take-up capacity
- Two rope rays per revolution
- Constant winding tension
- Inverter drive
- User-friendly touchscreen control panel
- Light weight rotating parts
- Low noise level
- Low power consumption
- Simple, robust design
- Easy to change strand twist
- High reliable
- Easy to maintain

Optional equipment

- Crane with lifting fork and electronic shackle
- Winding on steel flange reels
- Winding on customer's own reels
- Customized coiling heads
- Ring-twister packages for use as pay-off pactages
- Beam-feeding system
- YStrand-break detection system
- Yarn-break detection system
- Equipment for production of wire fencing
- Shearing device
- Adaption of machine to accommodate othe package dimintions and numbers of packages



DSTiTAC M77

Technical data

Rope Range	ø12-30mm	
Flyer speed	0-max, 260 rpm, depending on pre-twist factor	
Rope lay	S and Z	
Twists per minute	2 x rope flyer speed	
Lay length	45-122mm / 22-8.2 twists per meter	
Pre-twist factor	0.4-2.0 x rope twist	
Take-up, coiling head	ø900mm, adjustable traverse max, 525 mm, barrel ø260	
Take-up, max.weight	Polypropylene 170kg	
Pay-off package	M77-3	M77-4
	3 x 22, max, ø250 x 300mm traverse	4 x 22, max, ø250 x 300mm traverse
	3 x 18, max, ø300 x 300mm traverse	4 x 18, max, ø300 x 300mm traverse

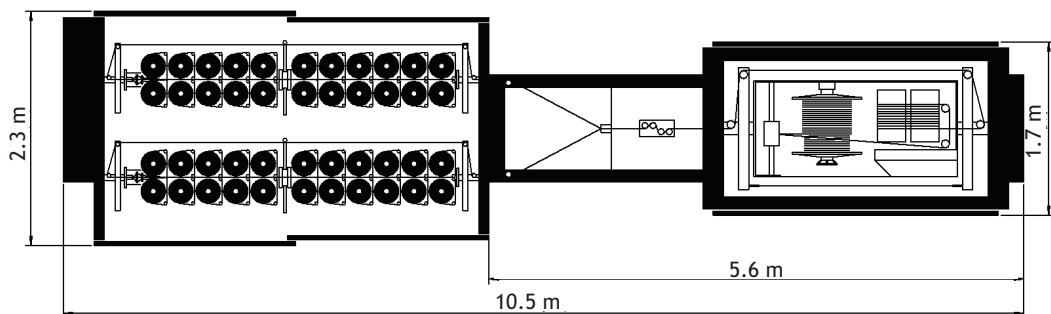
Examples based on three-strand polypropylene rope, Pre-twist factor: 0.8. Lay length: medium, Efficiency rate: 100%.
8 hours operation

Take-up capacity

Rope Range	Coiling head
ø12 mm	2,600 m
ø16 mm	1,450 m
ø20 mm	930 m
ø26 mm	550m
ø28 mm	465m
ø30 mm	415m

Production capacity

Rope Range	Output	Flyer speed
ø16 mm	690 kg	260 rpm
ø20 mm	2700 kg	220 rpm
ø26 mm	3700 kg	180 rpm
ø28 mm	4400 kg	140 rpm
ø30 mm	5000 kg	120 rpm



Motor power: 22 kW AC

M77-3 weight: 7,300 kg

M77-4 weight: 8,400 kg

Height: 2.4 m